

FLIR T530 24° + 14° & 42°



| | |
|--|--|
| Imaging and optical data | |
| Infrared resolution | 320 × 240 pixels |
| UltraMax (super-resolution) ¹ | Yes |
| NETD | <ul style="list-style-type: none"> • <30 mK, 42° @ 30°C (86°F) • <40 mK, 24° @ 30°C (86°F) • <50 mK, 14° @ 30°C (86°F) |
| Field of view | <ul style="list-style-type: none"> • 42° × 32° • 24° × 18° • 14° × 10° |
| Minimum focus distance | <ul style="list-style-type: none"> • 0.15 m (0.49 ft), 42° • 0.15 m (0.49 ft), 24° • 1.0 m (3.28 ft), 14° • Macro mode 103 μm as option to 24° |
| Minimum focus distance with MSX | <ul style="list-style-type: none"> • 0.65 m (2.13 ft), 42° • 0.5 m (1.64 ft), 24° • 1.0 m (3.28 ft), 14° |
| Focal length | <ul style="list-style-type: none"> • 10 mm (0.39 in), 42° • 17 mm (0.67 in), 24° • 29 mm (1.41 in), 14° |
| Spatial resolution (IFOV) | <ul style="list-style-type: none"> • 2.41 mrad/pixel, 42° • 1.31 mrad/pixel, 24° • 0.75 mrad/pixel, 14° |
| Available extra lenses | <ul style="list-style-type: none"> • 6° (service calibration required) |
| Lens identification | Automatic |
| f number | <ul style="list-style-type: none"> • 1.1, 42° • 1.3, 24° • 1.5, 14° |
| Image frequency | 30 Hz |
| Focus | <ul style="list-style-type: none"> • Continuous LDM • One-shot LDM • One-shot contrast • Manual |
| Field of view match | Yes |
| Digital zoom | 1–4x continuous |

1. Not supported when using macro.

FLIR T530 24° + 14° & 42°

| | |
|---|---|
| Detector data | |
| Focal plane array/spectral range | Uncooled microbolometer/7.5–14 µm |
| Detector pitch | 17 µm |
| Image presentation | |
| Resolution | 640 × 480 pixels (VGA) |
| Surface brightness (cd/m ²) | 400 |
| Screen size | 4 in |
| Viewing angle | 80° |
| Color depth (bits) | 24 |
| Aspect ratio | 4:3 |
| Auto-rotation | Yes |
| Touchscreen | Optically bonded PCAP |
| Display technology | IPS |
| Cover glass material | Dragontrail® |
| Programmable buttons | 2 |
| Viewfinder | No |
| Image adjustment | <ul style="list-style-type: none"> • Automatic • Automatic maximum • Automatic minimum • Manual |
| Image presentation modes | |
| Infrared image | Yes |
| Visual image | Yes |
| MSX | Yes |
| Picture in picture | Resizable and movable |
| Gallery | Yes |
| Measurement | |
| Camera temperature range | <ul style="list-style-type: none"> • -20 to 120°C (-4 to 248°F) • 0 to 650°C (32 to 1202°F) • Optional 300 to 1200°C (572 to 2192°F) |
| Object temperature range and accuracy (for ambient temp. 15 to 35°C (59 to 95°F)) | <ul style="list-style-type: none"> • Range -20 to 120°C (-4 to 248°F): <ul style="list-style-type: none"> ◦ -20 to 100°C (-4 to 212°F): ±2°C (±3.6°F) ◦ 100 to 120°C (212 to 248°F): ±2% • Range 0 to 650°C (32 to 1202°F): <ul style="list-style-type: none"> ◦ 0 to 100°C (32 to 212°F): ±2°C (±3.6°F) ◦ 100 to 650°C (212 to 1202°F): ±2% • Optional Range 300 to 1200°C (572 to 2192°F): ±2% |
| Inspection mode | |
| FLIR Inspection route | Enabled in the camera |
| Measurement analysis | |
| Spotmeter | 3 in live mode |
| Area | 3 in live mode |
| Automatic hot/cold detection | Automatic maximum/minimum markers within area |

FLIR T530 24° + 14° & 42°

| | |
|-------------------------------------|---|
| Measurement analysis | |
| Measurement presets | <ul style="list-style-type: none"> • No measurements • Center spot • Hot spot • Cold spot • User preset 1 • User preset 2 |
| Difference temperature | Yes |
| Reference temperature | Yes |
| Emissivity correction | Yes, variable from 0.01 to 1.0 or selected from materials list |
| Measurement corrections | Yes |
| External optics/windows correction | Yes |
| Alarm | |
| Color alarm (isotherm) | <ul style="list-style-type: none"> • Above • Below • Interval • Condensation (moisture/humidity/dewpoint) • Insulation |
| Measurement function alarm | Audible/visual alarms (above/below) on any selected measurement function |
| Set-up | |
| Color palettes | <ul style="list-style-type: none"> • Arctic • White hot • Black hot • Iron • Lava • Rainbow • Rainbow HC |
| Setup commands | Local adaptation of units, language, date, and time formats |
| Languages | 21 |
| Service functions | |
| Camera software update | Using USB cable or SD card |
| Storage of images | |
| Storage media | <ul style="list-style-type: none"> • Removable memory: SD card • FLIR Ignite Cloud services (with Wi-Fi) |
| Time lapse (Periodic image storage) | 10 seconds to 24 hours (infrared) |
| Remote control operation | Using USB cable or Wi-Fi |
| Image file format | Standard JPEG, measurement data included. Infrared-only mode |
| Image annotations | |
| Voice | 60 seconds with built-in microphone and speaker (and via Bluetooth) on still images and video |
| Text | Text from predefined list or soft keyboard on touchscreen |
| Visual image annotation | Yes |
| Image sketch | Yes: on infrared only |
| Sketch | From touchscreen |
| METERLiNK | Wireless connection (Bluetooth) to: FLIR meters with METERLiNK |

FLIR T530 24° + 14° & 42°

| | |
|---|---|
| Image annotations | |
| Compass | Yes |
| Area measurement information | Yes |
| GPS | Location data automatically added to every still image and first frame in video from built-in GPS |
| Video recording in camera | |
| Radiometric infrared-video recording | RTRR (.csq) |
| Non-radiometric infrared-video recording | H.264 to memory card |
| Visual video recording | H.264 to memory card |
| Video streaming | |
| Radiometric infrared-video streaming (compressed) | Over UVC |
| Non-radiometric video streaming (compressed: IR, MSX, visual, Picture in Picture) | <ul style="list-style-type: none"> • H.264 (AVC) over RTSP (Wi-Fi) • MPEG4 over RTSP (Wi-Fi) • MJPEG over UVC and RTSP (Wi-Fi) |
| Visual video streaming | Yes |
| Digital camera | |
| Resolution | 5 MP with LED light |
| Focus | Fixed |
| Field of view | 53° x 41° |
| Video lamp | Built-in LED light |
| Laser pointer | |
| Laser alignment | Position is automatically displayed on the infrared image |
| Laser distance meter | Activated by dedicated button |
| Laser | Class 2, 0.05–40 m (0.16–131 ft) ±1% of measured distance |
| Data communication interfaces | |
| Interfaces | USB 2.0, Bluetooth, Wi-Fi, DisplayPort |
| METERLiNK/Bluetooth | Communication with headset and external sensors |
| Wi-Fi | Peer to peer (ad hoc) or infrastructure (network) |
| Audio | Microphone and speaker for voice annotation of images |
| USB | USB Type-C: data transfer/video/power |
| USB standard | USB 2.0 High Speed |
| Video out | DisplayPort |
| Video connector type | DisplayPort over USB Type-C |
| Cloud services | FLIR Ignite Cloud services |

FLIR T530 24° + 14° & 42°

| Radio | |
|---------------------------------------|---|
| Operating frequency | Bluetooth + EDR/LE: 2402–2480 MHz WLAN 2.4 GHz: 2412–2462 MHz WLAN 5 GHz: 5150–5350 MHz (DFS: only slave mode) Note that frequency band 5150–5350 MHz is for indoor use only, see national regulations. |
| RF output (EIRP) | Bluetooth + EDR/LE: < 10 dBm WLAN: < 17 dBm |
| Antenna | Integrated PIFA antenna (gain: maximum 1.4 dBi) |
| Power system | |
| Battery type | Rechargeable Li-ion battery |
| Battery voltage | 3.6 V |
| Battery operating time | > 4 hours at 25°C (77°F) with typical use |
| Charging system | In camera (AC adapter or 12 V from a vehicle) or two-bay charger |
| Charging time (using two-bay charger) | 3.5 h to 90% capacity, on-screen indicator |
| Charging temperature | 0°C to 45°C (32°F to 113°F), except for the Korean market: 10°C to 45°C (50°F to 113°F) |
| External power operation | AC adapter 90–260 V AC (50/60 Hz) or 12 V from a vehicle (cable with standard plug, optional) |
| Power management | Automatic shut-down and sleep mode |
| Battery documents | For documents like MSDS and UN38.3 test reports/summaries, see: https://support.flir.com/resources/msds |
| Environmental data | |
| Operating temperature range | –15 to 50°C (5–122°F) |
| Storage temperature range | –40 to 70°C (–40 to 158°F) |
| Humidity (operating and storage) | IEC 60068-2-30/24 hours, 95% relative humidity, 25–40°C (77–104°F)/2 cycles |
| EMC | <ul style="list-style-type: none"> ETSI EN 301 489-1 (radio) ETSI EN 301 489-17 EN 61000-6-2 (immunity) EN 61000-6-3 (emission) FCC 47 CFR part 15 B, class B (emission) |
| Radio spectrum | <ul style="list-style-type: none"> ETSI EN 300 328 ETSI EN 301 893 FCC 47 CFR part 15 C FCC 47 CFR part 15 E |
| Encapsulation | IP 54 (IEC 60529) |
| Shock | 25g (IEC 60068-2-27) |
| Vibration | 2g (IEC 60068-2-6) |
| Safety | Camera: <ul style="list-style-type: none"> IEC/EN 60950-1, IEC/EN 62368-1 Power supply: <ul style="list-style-type: none"> IEC/EN 62368-1 CSA/UL/KC/SAA/PSE 60950-1 |
| Declaration of conformity | See: https://support.flir.com/resources/DoC |

FLIR T530 24° + 14° & 42°

| Physical data | |
|-----------------------------|--|
| Weight (including battery) | 1.3 kg (2.9 lb) |
| Size (L x W x H) | <ul style="list-style-type: none"> • Lens vertical: 140 x 201.3 x 84.1 mm (5.5 x 7.9 x 3.3 in) • Lens horizontal: 140 x 201.3 x 167.3 mm (5.5 x 7.9 x 6.6 in) |
| Battery weight | 195 g (6.89 oz) |
| Battery size (L x W x H) | 59 x 66 x 94 mm (2.3 x 2.6 x 3.7 in) |
| Tripod mounting | UNC 1/4"-20 |
| Housing material | PCABS with TPE, magnesium |
| Color | Black |
| Warranty and service | |
| Warranty | http://www.flir.com/warranty/ |
| Shipping information | |
| Packaging, type | Cardboard box |
| Packaging, contents | <ul style="list-style-type: none"> • Accessory box I: <ul style="list-style-type: none"> ◦ Power supply for battery charger ◦ Power supply, 15 W/3 A ◦ Printed documentation ◦ SD card (8 GB) ◦ USB 2.0 A to USB Type-C cable ◦ USB Type-C to HDMI and PD adapter ◦ USB Type-C to USB Type-C cable (USB 2.0 standard) • Accessory box II: <ul style="list-style-type: none"> ◦ Lens cap strap ◦ Lens cleaning cloth ◦ Neck strap • Battery (2 ea) • Battery charger • Extra lens, 14° • Extra lens, 42° • Hard transport case • Infrared camera with lens • Lens cap, front • Lens cap, front and rear (only for extra lenses) • License card: FLIR Thermal Studio Pro (3 month subscription) + FLIR Route Creator Plugin for Thermal Studio Pro (3 month subscription) |
| Packaging, weight | 6.4 kg (14.1 lb) |
| Packaging, size | 500 x 190 x 370 mm (19.7 x 7.5 x 14.6 in) |
| EAN-13 | 7332558012963 |
| UPC-12 | 845188014650 |
| Country of origin | Sweden |

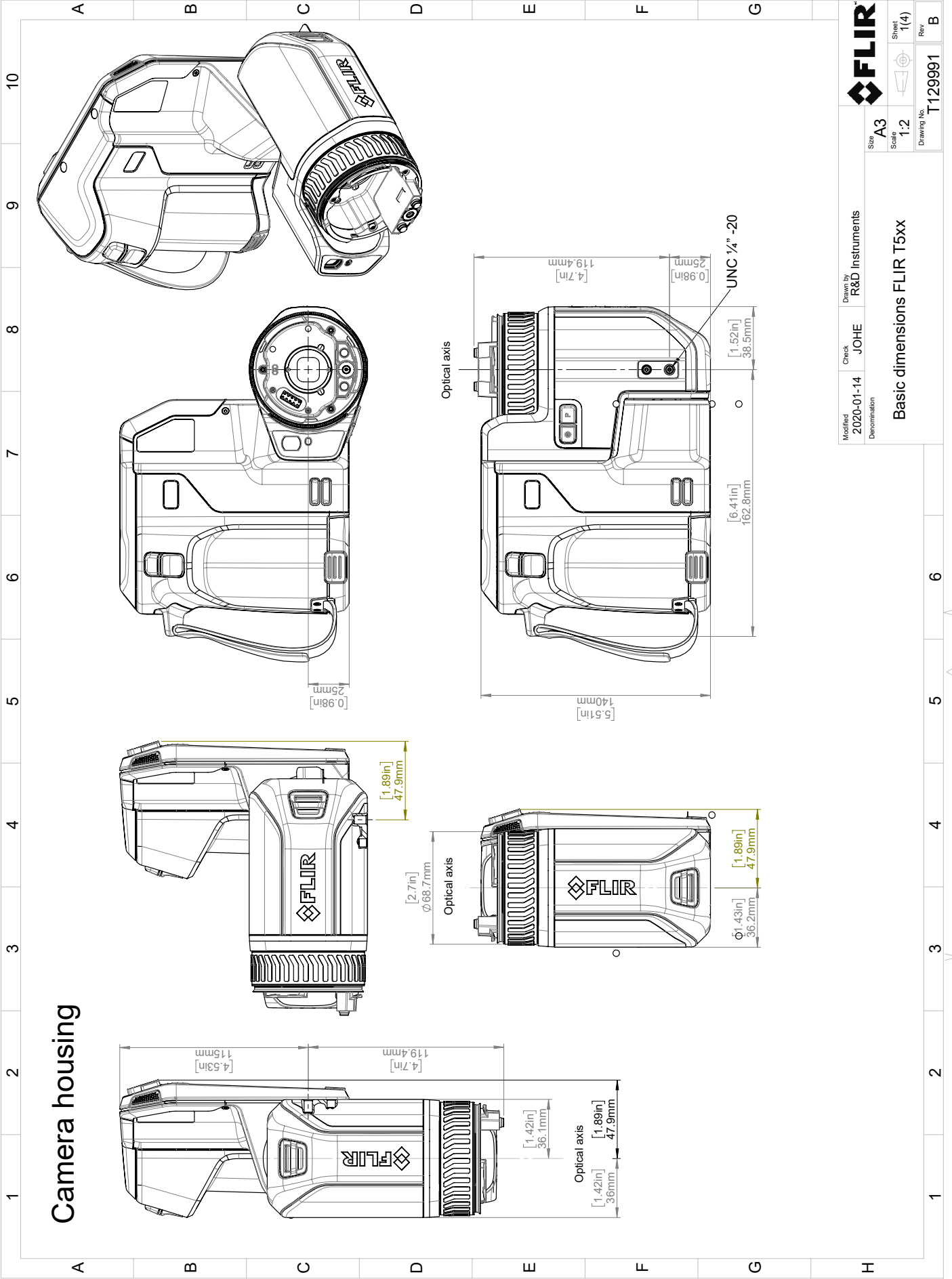
Supplies and accessories:

- T300238; Macro lens 2.0x with case
- T300095; IR lens, f=70 mm (6°) with case
- T131171ACC; Remote operation button
- T199300ACC; Battery
- T199347ACC; Hard transport case for FLIR T8xx, T5xx, and GF7x series
- T199601; Hand strap and neck strap
- T199610; Battery charger

FLIR T530 24° + 14° & 42°

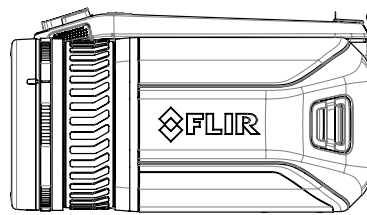
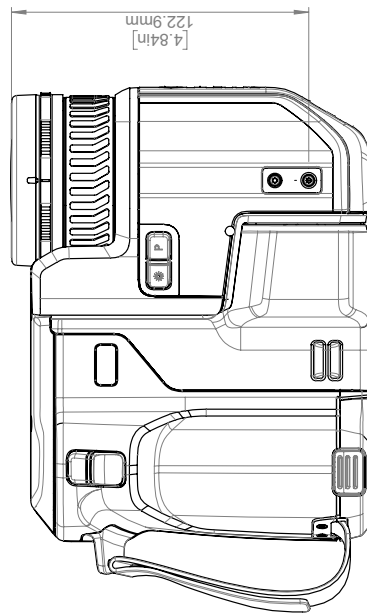
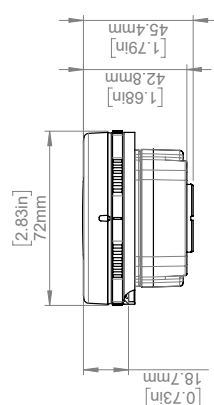
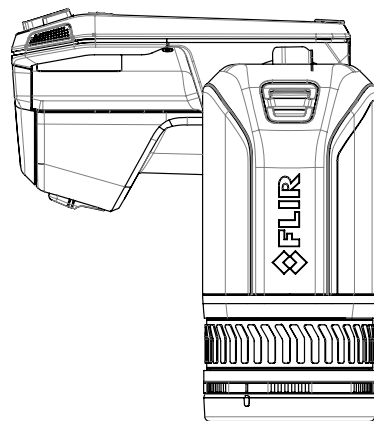
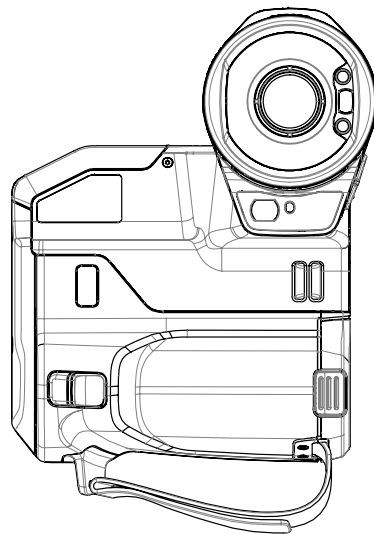
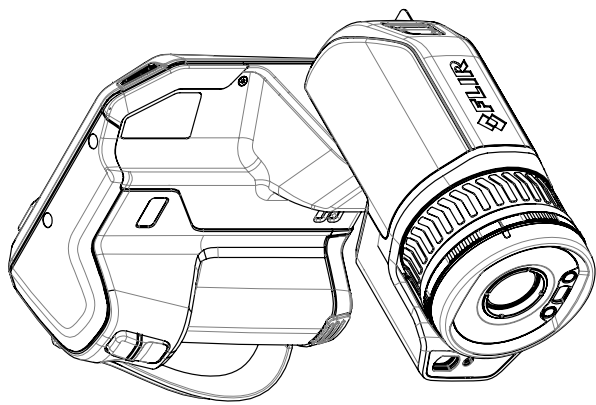
- T199616; Option, High temperature, +300 to +1200°C
- T300030; Option, No radio
- T911997; Tripod
- T911998; HDMI 2-port video splitter
- T300369; Mounting kit (FLIR T5xx, T8xx, Exx)
- T300493ACC; Industrial protective lens window
- T850105; FLIR Inspection Route - Camera Option
- T850111; Option, Dual streaming
- T199609; Option, Macro mode 50/71/101 µm for 24°
- T130337ACC; Calibration target
- T911630ACC; Power supply for camera, 15 W/3 A
- T911633ACC; Power supply for battery charger
- T911705ACC; USB Type-C to USB Type-C cable (USB 2.0 standard), 1.0 m
- T911706ACC; Car adapter 12 V
- T911845ACC; USB Type-C to HDMI and PD adapter
- T911846ACC; USB 2.0 A to USB Type-C with Power supply
- T911940ACC; USB 2.0 A to USB Type-C cable, 1.0 m
- T300437ACC; Lens case
- T199589; IR lens, f=17 mm (24°) with case
- T199588; IR lens, f=29 mm (14°) with case
- T199590; IR lens, f=10 mm (42°) with case
- T198495; Pouch
- T197771ACC; Bluetooth Headset
- T300244; FLIR Route Creator Plugin for FLIR Thermal Studio Pro, 1 Year Subscription
- T300439; FLIR Route Creator Plugin for FLIR Thermal Studio Pro, Perpetual license
- T300342; FLIR Screen-EST, Perpetual license
- T300243; FLIR Thermal Studio Pro, 1 Year Subscription
- T300083; FLIR Thermal Studio Pro, Perpetual license
- T300341; FLIR Thermal Studio Standard, 1 Year Subscription
- T300258; FLIR Thermal Studio Standard, Perpetual license
- 4232535; FLIR Research Studio, Professional Edition - 1 Year Subscription (online activation)
- 4232556; FLIR Research Studio, Professional Edition - Perpetual License (online activation)
- 4232590; FLIR Research Studio, Professional Edition - Perpetual License (USB dongle)
- 4220499; FLIR Research Studio, Standard Edition - 1 Year Subscription (online activation)
- 4220500; FLIR Research Studio, Standard Edition - Perpetual License (online activation)
- 4220646; FLIR Research Studio, Standard Edition - Perpetual License (USB dongle)
- T198696; FLIR ResearchIR Max 4 (hardware sec. dev.)
- T199013; FLIR ResearchIR Max 4 (printed license key)
- T199043; FLIR ResearchIR Max 4 Upgrade (printed license key)
- 4232591; FLIR ResearchIR to Research Studio, Professional Edition - 1 Year License Upgrade

Camera housing



| | | |
|---------------------------------------|--|--|
| | | Size: A3 Scale: 1:2 Drawing No.: T129991 Rev: B |
| Modified: 2020-01-14 Denomination: | Check: JOHE Drawn by: R&D Instruments | Sheet: 1(4) |
| Basic dimensions FLIR T5xx | | |

Camera with Lens IR f=10mm (42°)
 Camera with Lens IR f=17mm (24°)
 Camera with Lens IR f=29mm (14°)
 Camera with Lens IR Close-up 2x



For additional dimensions see page 1

| | | | | | |
|--|---------------|-----------------------------|--------------|------------------------|----------|
| Modified 2020-01-14 Denomination | Check JOHE | Drawn by R&D Instruments | Size A3 | Sheet 2(4) | Rev B |
| Basic dimensions FLIR T5xx | | | Scale 1:5 | Drawing No. T129991 | |



